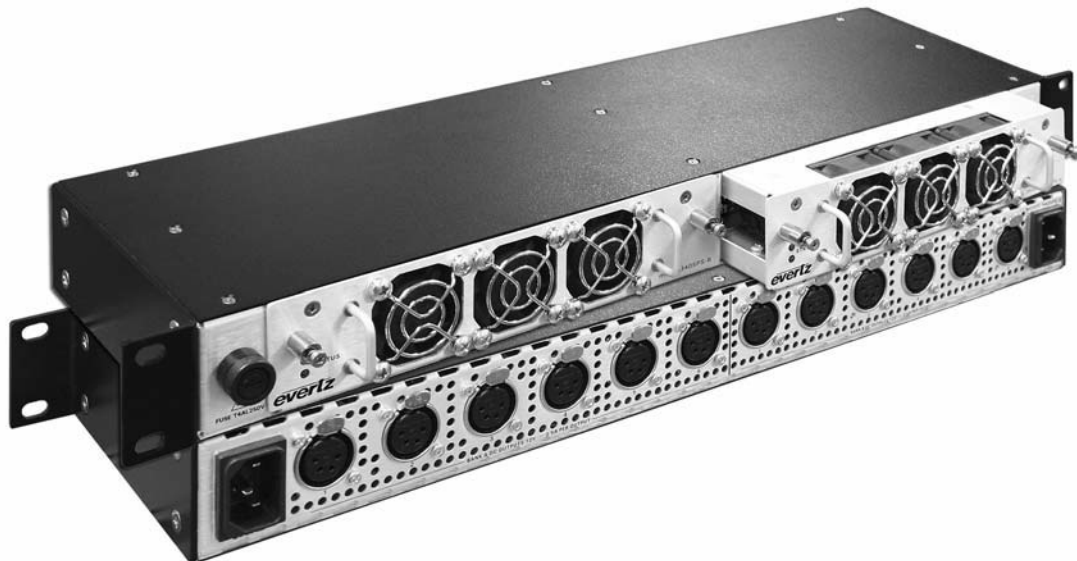


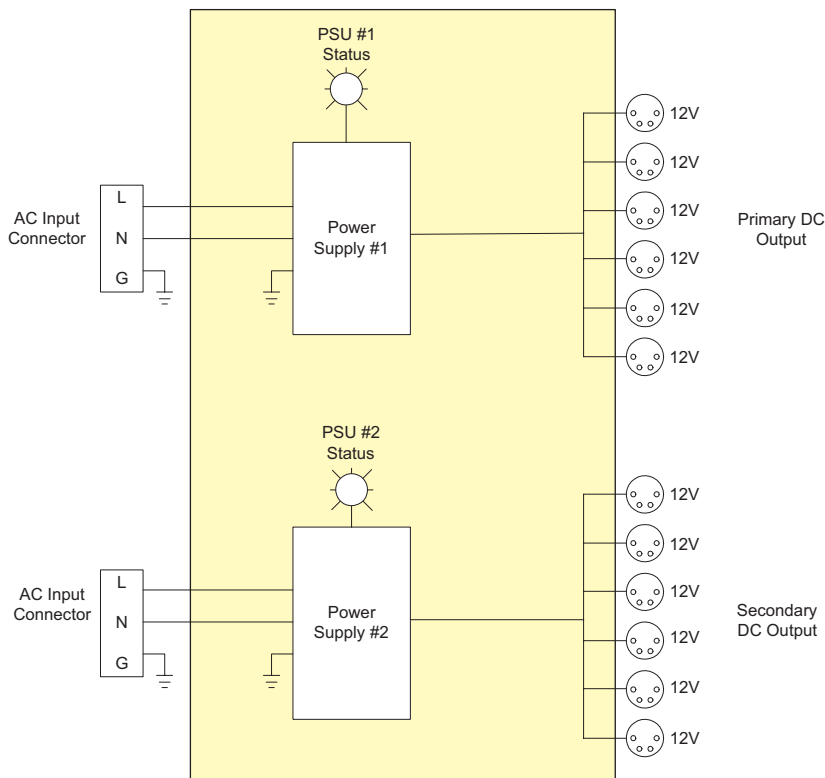
3405PS-6

Six Output Power Supply for 3405FR Series Frame



►Features & Benefits

- Primary and Redundant DC power for up to six 3405FR series frames
- LED indicators display the status of each power supply
- Front extractable modules, power supplies and fans
- Auto-ranging power supply that operates from 100V - 240V AC at 50/60Hz
- Power supply and frame cooling fans are fully redundant and hot-swappable



►Specifications

Power Input:

Number of Inputs: 2
Connector: Type B (male)
Voltage: Auto ranging, 100-240V AC
Frequency: 50/60Hz
Power: 250W max per input

Power Outputs

Number of Outputs: 6 Primary + 6 Secondary
Protection: Short circuit, current limit
Connector: 4 pin XLR (female)
Voltage: 12V
Current: 3.5A

Physical

Dimensions: 1.8"H x 19"W x 4.7"D

Environmental

Temperature: -20 to +70°C

►Ordering Information

3405PS-6

6 Primary + 6 secondary output power supply for 3405FR series frames