

OBS+OP+5050D

Optical Power Splitter, 50% Split

The OBS+OP+5050D optical protection switch and 50-50 power splitter represent integral parts of an end-to-end optical fiber network design, and provide path redundancy and network resiliency.

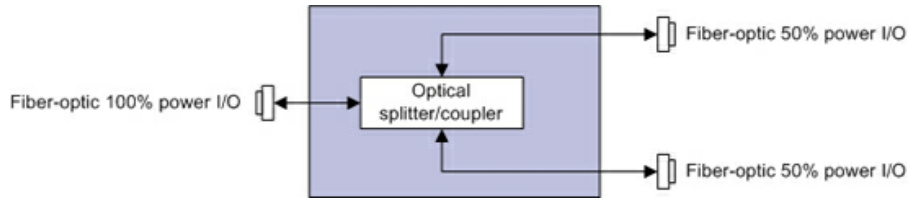
The 50-50 power splitter and protection switch are critical in redundant-path optical fiber network design or for optical signal monitoring purposes where the power budget allows for a 50% loss of power.

Product Features

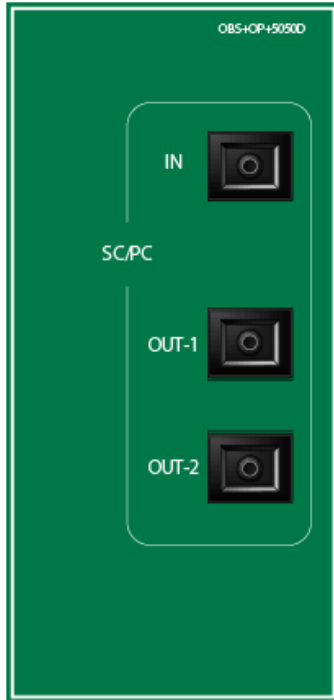
- Intelligent auto-switching and auto-changeover
- Programmable switching threshold and changeover hysteresis
- Comprehensive signal and card status monitoring
- Single-mode fiber support
- Multiple wavelength support (1260 to 1610 nm range)
- Standard SMPTE SC/PC optical connectors
- Full hot-swapping capability with no fiber disconnection/reconnection required
- Capability of supporting single optical wavelengths at 1310 nm, 1550 nm, or up to 16 CWDM wavelengths (ITU-T G.694.2 compliant)

Images/Diagrams

Block Diagram



Back Module



Specifications

Specifications and designs are subject to change without notice

Number of Inputs	1
Number of Outputs	2
Fiber Type/Size	Single-mode, 9 μm core/125 μm overall
Operation Wavelength	1260 to 1620 nm
Optical Back Reflection	<-35 dB
Insertion Loss	Typical 4 dBm
Maximum Input Optical Power	25 dBm
Common Specifications	
Operating Temperature	41° to 113° F (5° to 45° C)

Ordering Information

OBS+OP+5050D	50/50 optical power splitter
Compatible with the FR6822+QXFE frame	
Cable Options	
OP+CBL+1M-SCPC	Single-mode fiber cable, 1 meter, SC/PC male termination
OP+CBL+1M-STPC	Single-mode fiber cable, 1 meter, ST/PC male termination
OP+CBL+5M-SCPC	Single-mode fiber cable, 5 meter, SC/PC male termination
OP+CBL+5M-STPC	Single-mode fiber cable, 5 meter, ST/PC male termination