

OP+CWDM8+LD

8-Channel Passive CWDM Multiplexer/Demultiplexer

The OP+CWDM8+LD is a passive eight-channel Coarse Wave Division Multiplexing (CWDM) system, compliant with ITU-T G.694.2 standards.

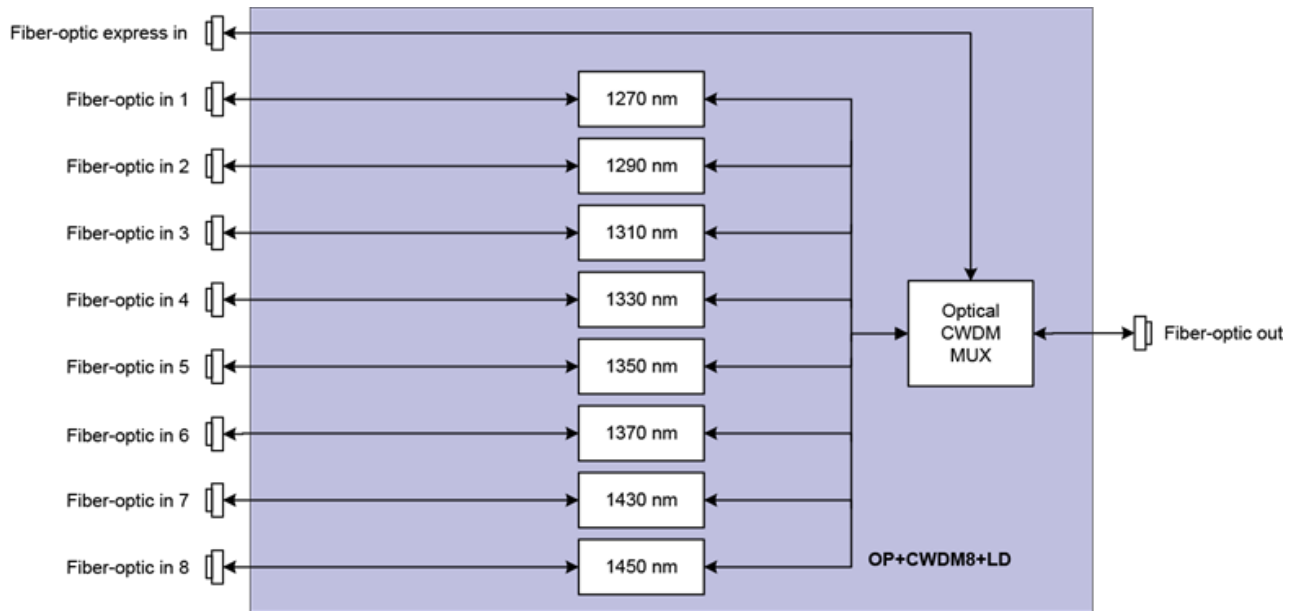
The OP+CWDM8+LD provides options for a number of connectors, including SC, ST and FC on the common port. The Imagine Communications CWDM system does not require low water peak fiber to utilize all 16 wavelengths and operates over wavelengths between 1271 nm and 1611 nm.

Product Features

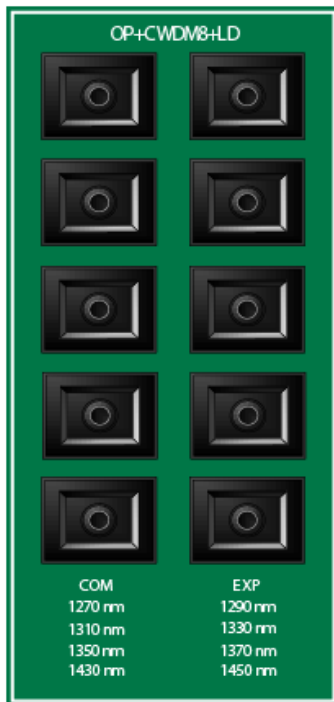
- Passive design
- Provides options for connectors including SC, ST, FC
- CWDM modules comply with ITU-T G.694.2 standards for CWDM wavelengths
- Does not require low water peak fiber to utilize all 16 wavelengths and operates over wavelengths between 1271 nm and 1611 nm

Images/Diagrams

Block Diagram



Back Module



Specifications

Specifications and designs are subject to change without notice

Number of Outputs	OP+CWDM8+LD: 8
Wavelength	OP+CWDM8+LD out 1: 1270 nm OP+CWDM8+LD out 2: 1290 nm OP+CWDM8+LD out 3: 1310 nm OP+CWDM8+LD out 4: 1330 nm OP+CWDM8+LD out 5: 1350 nm OP+CWDM8+LD out 6: 1370 nm OP+CWDM8+LD out 7: 1430 nm OP+CWDM8+LD out 8: 1450 nm
Connector	SC/PC per IEC 61754-4-1
Input to Output Insertion Loss	4 channel: <2.5 dB typical 8 channel: <3.5 dB typical
Express Port Insertion Loss	4 channel: <2 dB typical 8 channel: <3 dB typical
Combined Insertion Loss	12 channel: <5.5 dB typical 16 channel: <6.5 dB typical
Flatness	<0.5 dB @ $\lambda \pm 6.5$ nm
Adjacent Channel Isolation	
(demux)	>30 dB @ $\lambda \pm 13.5$ nm
Non-adjacent Channel Isolation (demux)	>40 dB @ $\lambda \pm 33.5$ nm
Polarization Dependent Loss	<0.1 dB @ λ
Return Loss	>45 dB
Maximum Power Handling	300 mW
Operating Temperature	41° to 113° F (5° to 45° C)

Ordering Information

OP+CWDM8+LD	Passive 8-channel optical mux 1270 to 1450 nm
-------------	---